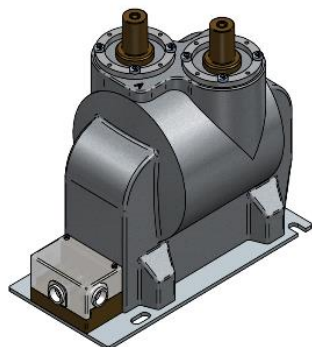


UGZCAK D2 – Double Pole Voltage Transformer (1/2)

The UGZCAK D2 is a cast-resin insulated metal-coating indoor double-phase voltage transformer suitable for medium voltage switchgears. The transformer is able to measure voltage up to 24kV and has two top outer cones. The UGZCAK D2 is equipped with cable connectors for bushing type A according to DIN EN 50181. The voltage transformer does not need phase distances, has an increased contact security, is maintenance-free and mountable in any position.



Ordering Specifications*

For the customized design of your ELEQ UGZCAK D2 Voltage Transformer the following information is required:

Mandatory

- Rated primary voltage
- Rated secondary voltage
- Rated output
- Accuracy class
- Frequency

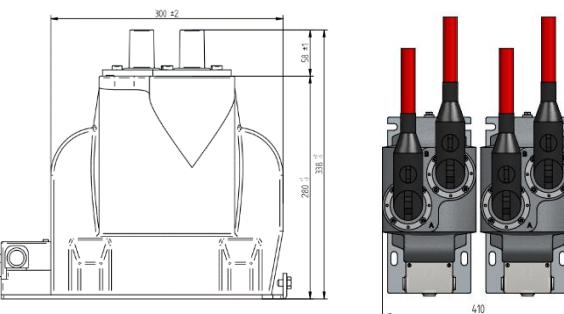
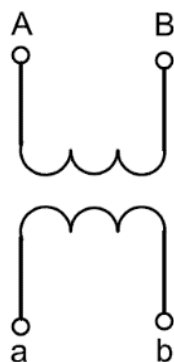
Optional

- Other relevant requirements

Technical Specifications

Environmental conditions	
This product is designed to be safe under the following conditions:	
Location:	Indoor use
Ambient air temperature:	-5°C .. +40°C; other temperatures on request
Storage and transport temperature:	-25°C .. +55°C
Relative humidity:	5% .. 95%, non condensing
Altitude:	Max. 1000m above NN; at >1000m data required
Protection degree (secondary terminal):	IP20
Application conditions	
Standard:	IEC 61869-3 / IEEE C57.13; GOST 1983-2001 etc.
IEC 61768-3 specification:	
Rated thermal limiting output (Sth):	See table on page 2
Rated voltage factor:	1,2 x Un continuous
Rated insulation level:	Max. 24/50/125kV
Rated frequency:	50/60Hz
Class of insulation:	E
Rated primary voltage:	1,2 kV - 22kV, other options available on request
Rated secondary voltage:	100V, 110V, 230V; other options available on request
Rated output:	As required.
Accuracy class:	As required.
Secondary terminal:	Screw terminals M5 (max. 2,5Nm)

Wiring Diagram IEC 61869-3 e.g.



Outer sealing cone for cable-plug connection according to DIN EN 50181 ASG24-250



UGZCAK D2 – Double Pole Voltage Transformer (2/2)

* Maximum burden per class

Primary Voltage	Secondary Voltage					
	230V		110V		100V	
3,0 kV	1500 VA	Sth	1500 VA	Sth	1500 VA	Sth
	100 VA	Class 3	100 VA	Class 3	100 VA	Class 3
	100 VA	Class 1	100 VA	Class 1	100 VA	Class 1
	100 VA	Class 0,5	100 VA	Class 0,5	100 VA	Class 0,5
	50 VA	Class 0,2	50 VA	Class 0,2	50 VA	Class 0,2
3,3 kV	1500 VA	Sth	1500 VA	Sth	1500 VA	Sth
	100 VA	Class 3	100 VA	Class 3	100 VA	Class 3
	100 VA	Class 1	100 VA	Class 1	100 VA	Class 1
	100 VA	Class 0,5	100 VA	Class 0,5	100 VA	Class 0,5
	50 VA	Class 0,2	50 VA	Class 0,2	50 VA	Class 0,2
6,0 kV	1200 VA	Sth	1200 VA	Sth	1200 VA	Sth
	100 VA	Class 3	100 VA	Class 3	100 VA	Class 3
	100 VA	Class 1	100 VA	Class 1	100 VA	Class 1
	100 VA	Class 0,5	100 VA	Class 0,5	100 VA	Class 0,5
	50 VA	Class 0,2	50 VA	Class 0,2	50 VA	Class 0,2
6,6 kV	1200 VA	Sth	1200 VA	Sth	1200 VA	Sth
	100 VA	Class 3	100 VA	Class 3	100 VA	Class 3
	100 VA	Class 1	100 VA	Class 1	100 VA	Class 1
	100 VA	Class 0,5	100 VA	Class 0,5	100 VA	Class 0,5
	50 VA	Class 0,2	50 VA	Class 0,2	50 VA	Class 0,2
10 kV	1200 VA	Sth	1200 VA	Sth	1200 VA	Sth
	100 VA	Class 3	100 VA	Class 3	100 VA	Class 3
	100 VA	Class 1	100 VA	Class 1	100 VA	Class 1
	100 VA	Class 0,5	100 VA	Class 0,5	100 VA	Class 0,5
	50 VA	Class 0,2	50 VA	Class 0,2	50 VA	Class 0,2
11 kV	1200 VA	Sth	1200 VA	Sth	1200 VA	Sth
	100 VA	Class 3	100 VA	Class 3	100 VA	Class 3
	100 VA	Class 1	100 VA	Class 1	100 VA	Class 1
	100 VA	Class 0,5	100 VA	Class 0,5	100 VA	Class 0,5
	50 VA	Class 0,2	50 VA	Class 0,2	50 VA	Class 0,2
15,0 kV	1000 VA	Sth	1000 VA	Sth	1000 VA	Sth
	100 VA	Class 3	100 VA	Class 3	100 VA	Class 3
	100 VA	Class 1	100 VA	Class 1	100 VA	Class 1
	100 VA	Class 0,5	100 VA	Class 0,5	100 VA	Class 0,5
	50 VA	Class 0,2	50 VA	Class 0,2	50 VA	Class 0,2
20,0 kV	750 VA	Sth	750 VA	Sth	750 VA	Sth
	100 VA	Class 3	100 VA	Class 3	100 VA	Class 3
	100 VA	Class 1	100 VA	Class 1	100 VA	Class 1
	100 VA	Class 0,5	100 VA	Class 0,5	100 VA	Class 0,5
	50 VA	Class 0,2	50 VA	Class 0,2	50 VA	Class 0,2
22,0 kV	750 VA	Sth	750 VA	Sth	750 VA	Sth
	100 VA	Class 3	100 VA	Class 3	100 VA	Class 3
	100 VA	Class 1	100 VA	Class 1	100 VA	Class 1
	100 VA	Class 0,5	100 VA	Class 0,5	100 VA	Class 0,5
	50 VA	Class 0,2	50 VA	Class 0,2	50 VA	Class 0,2

