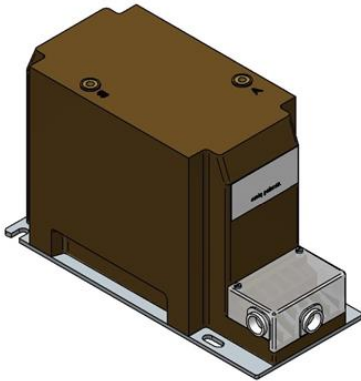


UGZ C1 – Double Pole Voltage Transformer

The UGZ C1 is used for measurement and protection in applications, especially in medium-voltage switchgears. The double pole indoor voltage transformer can be used up to 12kV. The voltage transformer is maintenance-free and mountable in any position.



Ordering Specifications

For the customized design of your ELEQ UGZ C1 voltage transformer the following information is required:

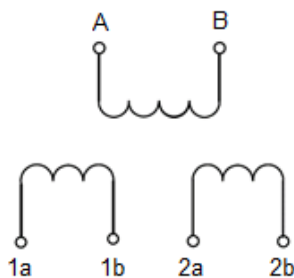
Mandatory

- Rated primary voltage
- Rated secondary voltage
- Rated output
- Accuracy class
- Frequency

Optional

- Other relevant requirements

Wiring Diagram IEC 61869-3 e.g.



Technical Specifications

Environmental conditions	
This product is designed to be safe under the following conditions:	
Location:	Indoor use
Ambient air temperature:	-5°C .. +40°C; other temperatures on request
Storage and transport temperature:	-25°C .. +50°C
Relative humidity:	5% .. 95%, non condensing
Altitude:	Max. 1000m above NN; at >1000m data required
Protection degree (secondary terminal):	IP20
Application conditions	
Standard:	IEC 61869-3/IEEE C57.13; etc.
IEC 61768-3 specification:	
Rated thermal limiting output (Sth):	500VA measuring winding in total 100VA residual winding
Rated voltage factor:	1,9 x Un for 8h; 1,2 x Un continuous
Rated insulation level:	12/28/75kV
Rated frequency:	50/60Hz
Class of insulation:	E
Rated primary voltage:	1,2kV - 11kV
Rated secondary voltage:	100V or 110V; other options available on request
Rated output:	As required. For example 10, 15 or 30VA
Accuracy class:	As required. For example 0,2, 3P
Primary connection:	M10 (20Nm)
Secondary terminal:	Screw terminals M5 (max. 2,5Nm)

Dimensions

