

SVU – Voltage Transformer for Low Voltage

Among other things decentralized generation (solar panels, wind turbines) is leading to an increasing number of unusual voltages, such as 690V. To still use the standard meters (400/230V), ELEQ has developed a new line of voltage transformers for low voltage. The voltage transformers comply with the latest IEC 61869-3 directives and are equipped with a sealable cover. This makes them highly suitable for kWh measurement.

In addition, with a capacity of 4VA or higher, the transformers can supply both the measuring voltage and the supply voltage for the meters. For the models up to 10VA, the class applies between 0 and 100% of the power. This eliminates the need for load resistors.



Order specifications

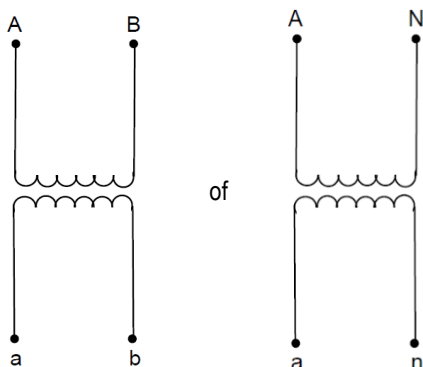
Model	Ratio	Rated output	Accuracy class*	Article number
A	In design	/	/	/
B	400/110V	0-8VA	0,2	4U4123
	690/400V	0-8VA	0,2	4U4165
	480√3/100√3V	0-8VA	0,2	4U4232
	600√3/100√3V	0-8VA	0,2	4U4252
	600√3/400√3V	0-8VA	0,2	4U4255
	690√3/110√3V	0-8VA	0,2	4U4263
	690√3/400√3V	0-8VA	0,2	4U4265
	800√3/100√3V	0-8VA	0,2	4U4282
	800√3/400√3V	0-8VA	0,2	4U4285
	On request	5-20VA	0,5	On request

*The class applies from 0-100% of the specified burden for burdens up to 10 VA and from 25-100% for burdens above 10 VA.

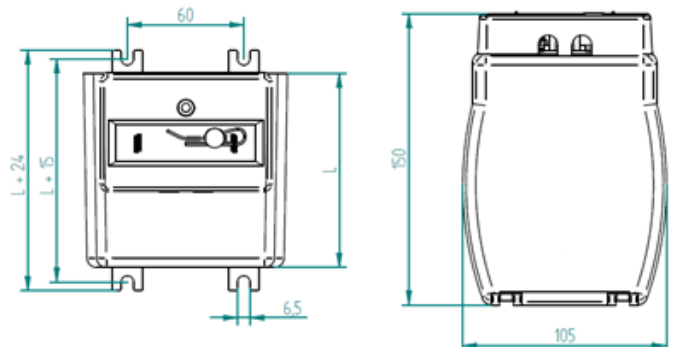
Technical Specifications

Environmental conditions	
This product is designed to be safe under the following conditions:	
Location:	Indoor use
Operating temperature:	-25°C .. +55°C
Storage and transport temperature:	-40°C .. +55°C
Relative humidity:	5% .. 95%, non condensing
Altitude:	Max. 1000m above NN; at >1000m data required
Protection degree :	IP20
Specification	
Standard:	IEC 61869-3
Rated voltage factor:	1,2 or 1,5 for 30s
Rated insulation level:	0,72/3/-kV or 1,2/6/-kV
Frequency :	50Hz
Class of insulation:	E
Rated primary voltage:	Max. 1000V
Rated secondary voltage:	Max. 400V
Rated output:	4, 8, 10, 20, 40, 50, 100VA
Accuracy class:	0,2, 0,5, 1, 3
Secondary connection:	Max. 4mm ²
Weight:	Model A: 2,6kg Model B: 3,3kg

Wiring Diagram



Dimensions



Model	L
A	65mm
B	100mm

