

VCT32 – Power Sensor

To measure power the voltage and current values of each phase are required. The ELEQ Power Sensor combines three functions in one product: the rail terminal, the current transformer and the fused voltage tap. So the VCT32 enables both an accurate current measurement and a voltage measurement in one product. Application of the VCT32 results in meeting higher safety requirements, reliable measurement, less required mounting space and lower installation costs.



Ordering specifications

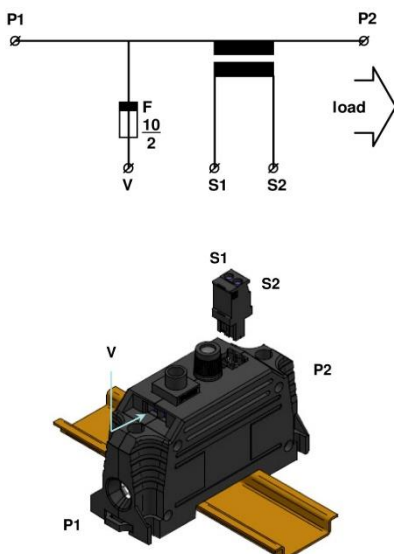
Ratio	Class	Burden ¹⁾	Article number
16/1	3	0,1VA	5VCT01
35/1	1	0,2VA	5VCT02
64/1	0.5	0,2VA	5VCT03

¹⁾ Ext. cable losses = 0,014VA/m (2,5mm²)

Technical specifications

<i>General</i>	
Maximum voltage:	690V, Uimp 6kV
Insulation voltage:	1890V/50Hz 1min.
Rated current:	64A
Max. current (AWG 6):	67A
Max. current (16mm ²):	76A
Insulation class:	E (max120°)
Protection degree:	IP20
Ambient temperature:	-10...+55°C
Case:	PA 30% glass filled
Suitable for marking:	PHOENIX ZBF5
Screw terminal:	Philips head DIN 7962-H2
<i>Terminal</i>	
Standard:	IEC60947-7-1
Wire gauge solid / stranded:	1,5 - 16mm ²
AWG	16/ 6
<i>Voltage terminal</i>	
Fuse type:	5x25mm (with indicator) Max. 2A SIBA DIN41576-2
Short circuit capability:	70kA@400V/50Hz
Wire gauge:	4mm ² (AWG 16)
<i>Current transformer</i>	
Standard:	IEC60044-1
Ith:	60xIn
Insulation voltage:	3kV/50Hz 1min.

Wiring diagram



Dimensions

