

UGEF - Outdoor Medium Voltage Transformer

The cast resin outdoor voltage transformer is capable to withstanding the aggravate outdoor environmental condition. The voltage transformer is maintenance-free and only mountable in vertical situation. The secondary windings are used for measurement or protection purpose.



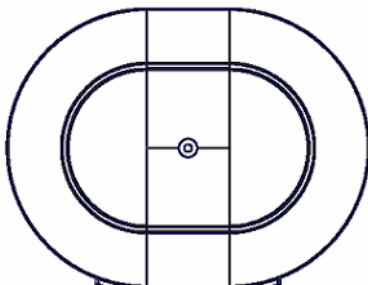
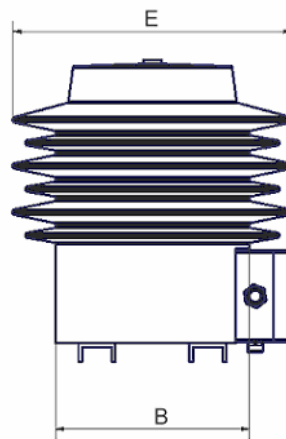
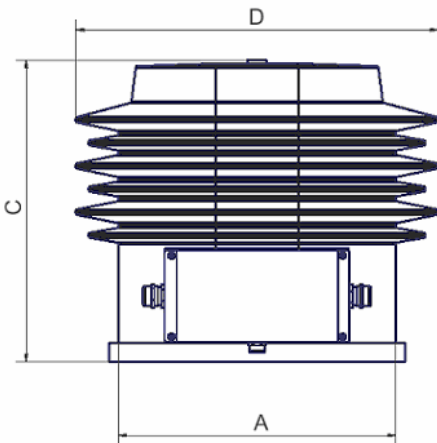
Technical specifications

Design	Cast-resin insulated
Colour	grey
Class of insulation	B
Frequency	50; 60 Hz other on request
Class of insulation	complying with the standard
Primary voltage	Depending on customer requirement
Secondary voltage	100/√3V; 110/√3V; 100/3V; 110/3V other voltage on request
Burden/ Class	5-150VA/ 0,2-1; 3P; 6P
Secondary terminal box	With degree of protection IP 54 max. IP 65
Ambient temperature	-40 °C - 45 °C
In accordance to	VDE 0414; IEC 60044 ; ANSI C 57.13; GOST
Base fixing	
Special model	Secondary switch- over

Ordering specifications

Type	UGEF 12D33	UGEF 24D33	UGEF 36E43
Insulation voltage [kV]	12/28/75	24/50/125	36/70/170
Max. number of winding	3	3	3
Thermal breakeven performance	600	600	600
Creepage distance	610	780	1120
Weight [kg]	27	27	45

Dimensions



	A	B	C	D	E	Secondary terminal	Number of Shield
UGEF12 D33	300	210	325	392	302	10	3
UGEF24 D33	300	210	415	392	302	10	5
UGEF36 E43	350	248	490	442	340	10	7

