

TQ40-C Split-core Current Transformer

The very compact TQ40 split-core current transformer from ELEQ is especially designed for connection to digital measurement systems. The TQ40 is supplied with color coded leads. The accuracy class 1 for all these ct's are perfect for high accurate kWh measurements. Correct closing of the current transformer is guaranteed by a distinct sound of a "click". For fixation two tie wraps are supplied that are easily mounted around the primary conductor.



Technical Specifications

Environmental conditions	
This product is designed to be safe under the following conditions:	
Location:	Indoor use
Operating temperature:	-10°C .. +55°C
Relative humidity:	5% .. 85%, non condensing
Protection degree:	IP20
Only suitable for insulated primary conductors.	
Application conditions	
Standard:	IEC61869-2
Rated short-time thermal current:	60 x I _n / 1s
Continuous thermal current (I _{ct}):	100%
Rated insulation level:	0,72/3/-kV
Rated frequency:	50/60Hz
Class of insulation:	E (120°C)
Primary window dimensions:	for conductor max. Ø 28mm
Secondary leads:	.../1A: L=3m cable 0,5mm ² .../5A: L=0,5m cable 1,5mm ²

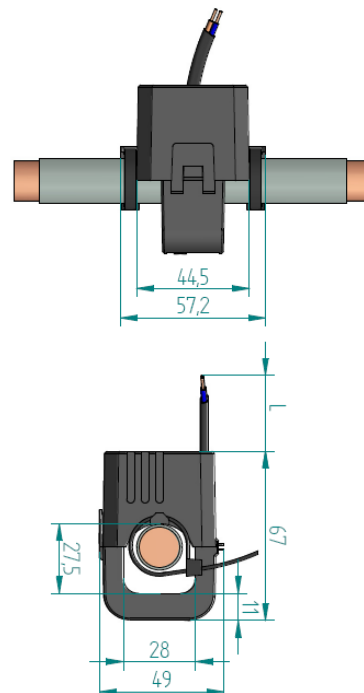
Ordering Specifications

Ratio	Class ¹⁾	Burden	Article number
200/1A	1	0,2VA	4Q4C09
250/1A	1	0,2VA	4Q4C10
300/1A	1	0,2VA	4Q4C11
400/1A	1	0,2VA	4Q4C12
500/1A	0,5	0,2VA	4Q4C13

Ratio	Class ¹⁾	Burden	Article number
250/5A	1	1VA	4Q4C60
300/5A	1	1VA	4Q4C61
400/5A	1	1VA	4Q4C62
500/5A	1	1VA	4Q4C63

1) Accuracy conform IEC 61869-2, valid from 5 to 120% I_n

Dimensions



Wiring Diagram

