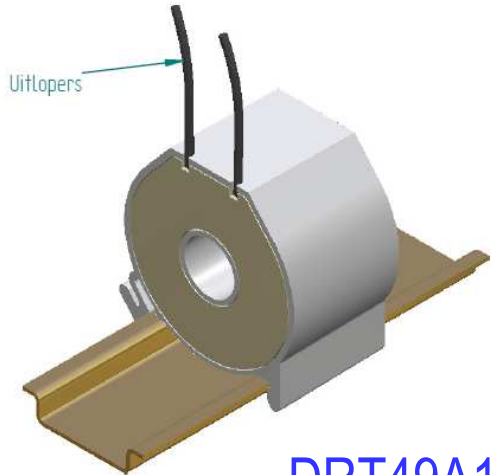


FAGET compact CT for energy measurement

More often current has to be measured on a lower level of the installation. Because of that current values are relatively low and the available space is limited. Further more, the accuracy has to be sufficient for power measurement (at least class 1). Usually, these features are difficult to combine.

The DRT49A12 combines these features in one product. Because of the unique construction, no additional soldering or crimping joints are required. This makes the DRT49A12 extremely reliable. The leads have a length of 1 m.

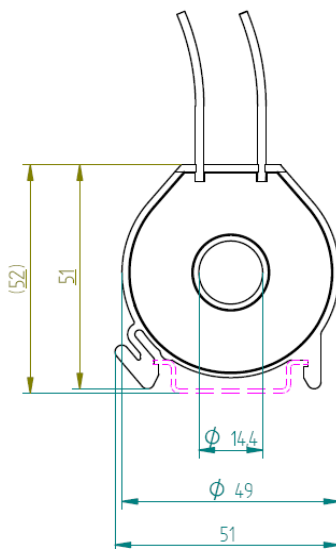
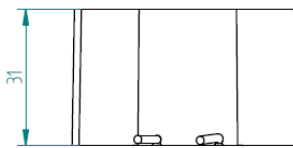


DRT49A12

Technical specification

Current ratio	64/1A (32/1A & 16/1A)
Accuracy	Class 1
Rated burden	0,5VA
Continuous current	120%
Short time current	60xIn/1s
Frequency	50Hz
Leads	0,5mm ²
Ambient temperature	45°C max.
Standard	IEC60044-1
Material	PA6.6

Dimensions

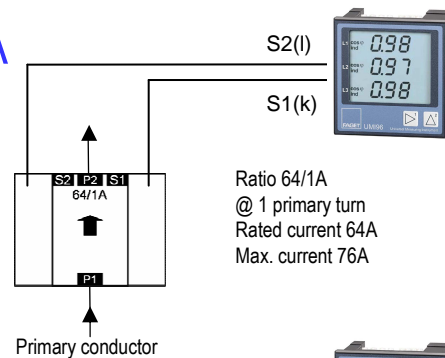


Ordering specification

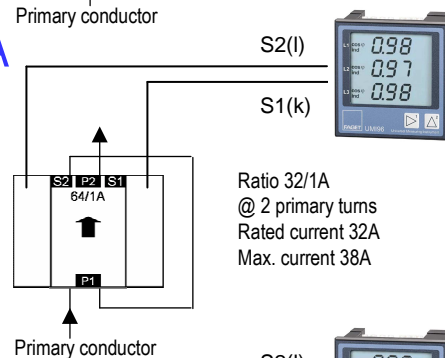
Article number	Lead length
4M12S1	1 metre

Applicability

64A



32A



16A

