



mastering electricity
worldwide

Auxiliary Power Supply

Provides low voltage energy in
medium voltage surroundings



Auxiliary Power Supply

Due to the consistent growth in smart grid technologies we face a rapidly increasing use of electronics in medium voltage surroundings. As a consequence the demand for low voltage power (supply) is rising. At the moment this demand is covered via (expensive) cables extending for kilometres.

ELEQ developed an easier and more compact solution to provide low voltage power in medium voltage surroundings, namely the Auxiliary Power Supply; a compact solution with a high burden.

Whether it's a power station, power grid or switch gear, an Auxiliary Power Supply can make the difference.

Purpose for low voltage

- Supply
 - For example
 - to make electronics work in your substation
 - to be able to use equipment
 - to recharge the battery of your tools for maintenance
- Heating
 - For example to heat up the substation so the electronics are able to function as required
- Lighting

For a 230V output one Auxiliary Power Supply is sufficient. Please contact us for specific requirements.

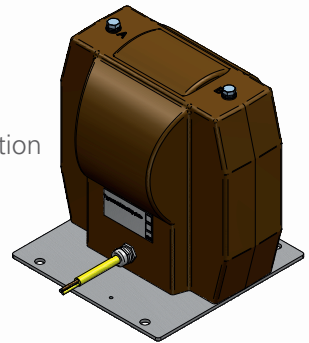
Application

- Medium Voltage Supply Substations
 - For example Ring Main Units
- Windmill substations



Advantages

- Compact
 - Several dimensions possible for optimal solution
- Several burden levels (VA) possible
- Cuts down expenses and time
 - No need to pull extra cables towards the substation
- Easy to mount
 - Mount directly in supply substation



Specifications

The Auxiliary Power Source has an input of 12 or 24kV with an output of 230V. Other input and output voltages are possible on request. The burden level (VA) can vary from 600 till 4000VA (at 230V/50Hz output).



mastering electricity
worldwide

ELEQ designs and manufactures smart electrotechnical applications for protecting, measuring and connecting electrical energy and works worldwide for renowned power companies, system builders and installers. Together with our clients we anticipate on the future and on required innovations.

ELEQ is a true producer and partner of clients and relations who are professionally involved in energy and public lighting systems and who rely on continuous precision and high services.

ELEQ delivers all its products and applications in accordance to the high Dutch and German quality standards and serves markets in Europe and beyond from its locations in the Netherlands (Steenwijk) and Germany (Kerpen).

part of a smart world



ELEQ b.v.
P.O. Box 12, 8330 AA Steenwijk
Tukseweg 130, 8331 LH Steenwijk
The Netherlands

+31 (0) 521 533 333
info@eleq.com
www.eleq.com

Karl-Ferdinand-Braun-Straße 1
50170 Kerpen (Sindorf)
Germany

+49 (0) 22 73 / 988 70
info@eleq.com
www.eleq.com